

HCC, inc.

1501 1st Avenue – Mendota, Illinois 61342
(815) 539-9371 Fax (815) 539-3135

WARRANTY REGISTRATION

Delivery Date _____ End User _____

Address _____

City, State (Province) _____ Zip/Postal Code _____

Country _____ Telephone (____) _____

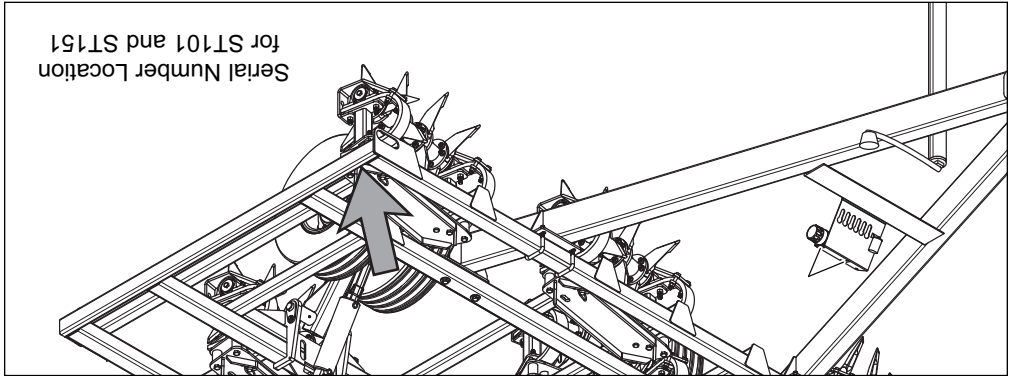
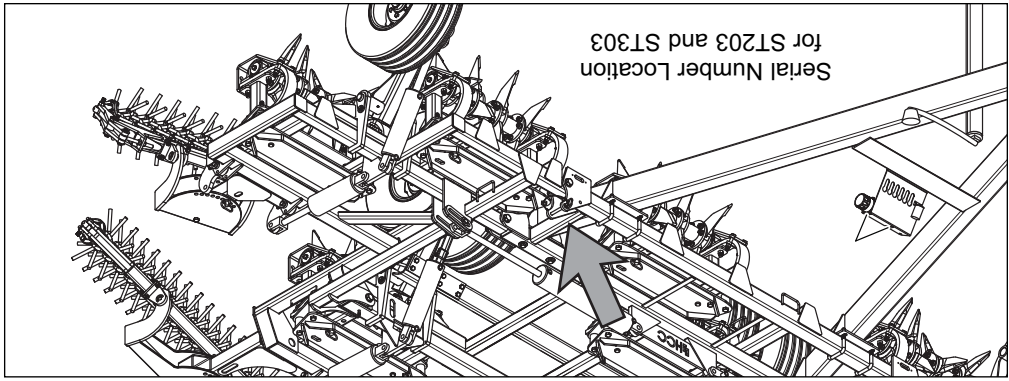
Dealer/Distributor Name _____

Dealer/Distributor Customer Number _____ Telephone (____) _____

Address _____

City, State (Province) _____ Zip/Postal Code _____

Country _____



To be completed by DEALER / DISTRIBUTOR or END USER:

Please place an (X) in front of the product or products you are submitting this Warranty Registration form for.

Place
Stamp
Here

- _____ ST101 Smart-Till® _____ Product serial number
- _____ ST151 Smart-Till® _____ Product serial number
- _____ ST203 Smart-Till® _____ Product serial number
- _____ ST303 Smart-Till® _____ Product serial number
- _____ Other / List _____ Product serial number

Please make a copy of this WARRANTY REGISTRATION card for your records and return the original.

Card must be completed and mailed or faxed to HCC, inc. within 30 days from receipt of delivery or warranty may become void. Fax the card or tape the card closed, affix a stamp, and mail.

**Marketing & Sales Manager
HCC, inc.
1501 1st Avenue
Mendota, Illinois 61342 USA**